



# X<sup>4</sup> 800 XL X-ray Inspection

[www.loma.com](http://www.loma.com)

Versatile, proven X-ray detection for the food and packaging industries



- **Versatile** Designed for inspection of large products, including Euro crates and meat boxes
- **Easy to use** Intuitive full colour touch-screen
- **Sanitized** Fully draining with easy wash through conveyor
- **Fast** Belt speeds in excess of 40 m/min without loss in performance
- **Reliable** Heavy duty conveyor components, built for 24/7 operation and harsh wash down

Metal Detection

X-ray Inspection

Checkweighers

Data Capture

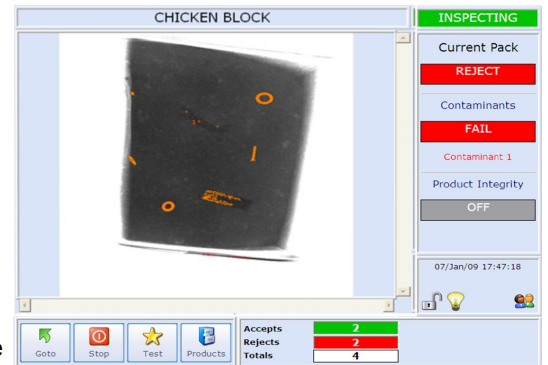
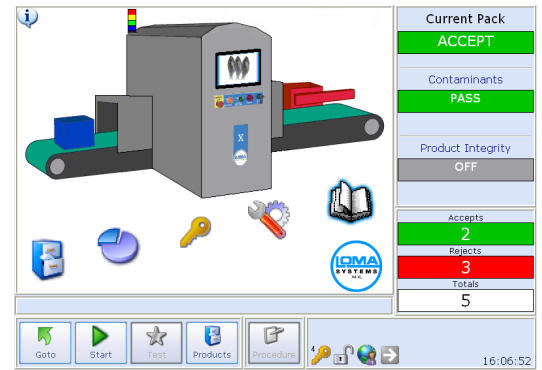
*Designed to Survive*



# X-ray Inspection Systems

**Finish:** 304 stainless steel with brushed finish  
**Typical Line Height:** 900mm ± 50mm  
**System Length:** 2500mm  
**Belt Width:** 800mm  
**Maximum Weight:** 100kgs  
**Supply Voltages:** 230/1ph/50Hz N+E or 110/1ph/60Hz N+E  
**Air Supply:** 5 - 8 bar  
**Reject Options:** Signal only  
**Environment:** IP 66  
**Belt Type:** Intralox (food quality) belt  
**Standard Inclusions:** Height adjustable feet, Mass Measurement, Missing product, Shape recognition, Image and report archiving, Hinged interlocked covers, Variable speed

**Options:** Survey meter, Remote diagnostics, LomaEnet, NAS Image data and image archiving, Inline code selection solution to enable discrete inspection of mixed product batches.



## Technical Specification

Industrial Grade PC, Ethernet and front access USB port

Digitally controlled WASC (Wide Angle, Self Cooled) high performance X-ray tank (long life cycle)

Unique USB high speed, high stability, detector array with 0.8mm diode pitch

Computer vision system utilising image processing and morphological techniques

Pass Key protected set-up and user access levels

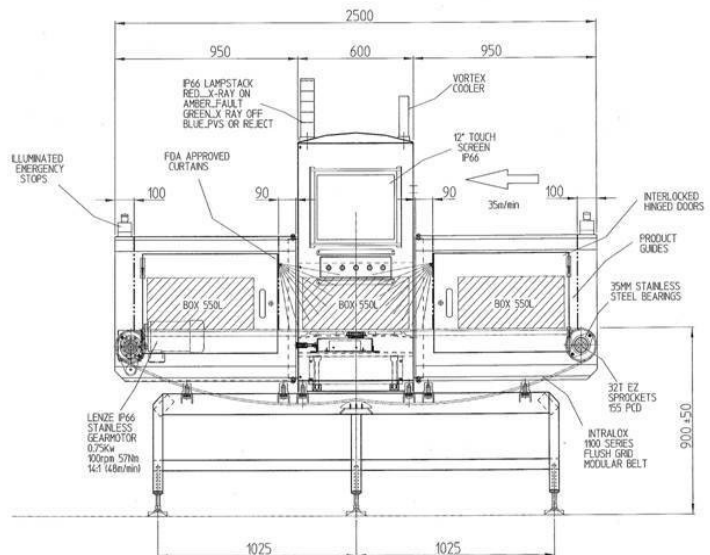
Embedded Windows XP operating system

USB Report and image archiving

Full diagnostic and system health monitoring with date and time stamp archiving, including remote support tools

Usage monitoring with planned maintenance prompts.

Modular system with speed digital communications between major components



Typical Dimensions

Loma Systems, Summit Ave, Southwood, Farnborough, Hampshire, GU14 0NY

Tel: +44 (0)1252 893300

Fax: +44 (0)1252 513322

Email: sales@loma.co.uk

